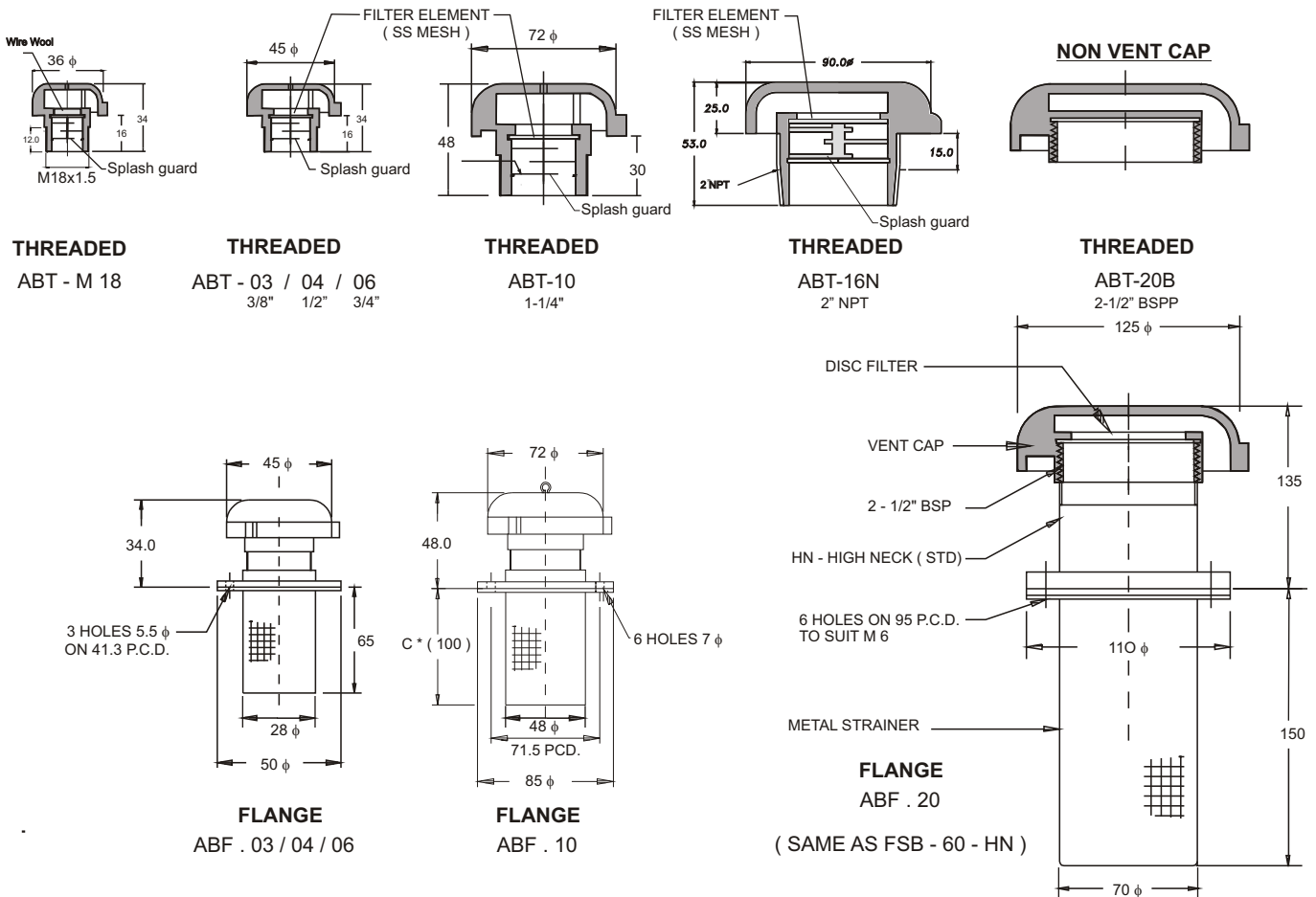
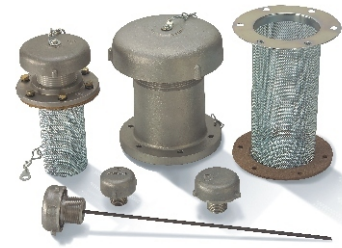


BREATHER - ABT / F



- STURDY ALUMINIUM DIE CAST CONSTRUCTION
- FILTRATION S.S. 100 MESH STANDARD
- FOR RUGGED APPLICATION
- METAL STRAINER STANDARD SUPPLY
- GASKET AND MOUNTING HARDWARE SUPPLIED
- OPTIONAL SPLASH GUARD TO MINIMISE SPILLAGE
- DIP STICK OPTIONAL
- CONSULT FACTORY FOR OEM BULK CUSTOM REQUIREMENT



MODEL CODE :

| AB T | - 10 | N | - * * | - * * | - * * | |
|--------------|--------------|----------------------|----------------------|---|--|---------------------|
| SERIES | SIZE INCH | THREADS | FEATURE SPECIAL # | FEATURE OPTIONAL # (OMIT IF NOT REQD) | STRAINER OPTIONAL # (ONLY FOR ABF) | |
| T - THREADED | M 18x1.5 | Metric | NV - NON VENTING | DS 4 - DIP STICK 4" | | |
| | 03 - 3/8" | N - NPT | | | | DS 6 - DIP STICK 6" |
| | 04 - 1/2" | | | | | DS 8 - DIP STICK 8" |
| F - FLANGE | 06 - 3/4" | B - BSPP | SG - SPLASH GUARD | (Ref - H3) | L 6 - 152 M M | |
| | 10 - 1-1/4" | | | | L 8 - 203 M M | |
| | 16 - 2" | N - NPT | | | | |
| | 20 - 2-1/2" | B - BSPP (Female) | | | | |

