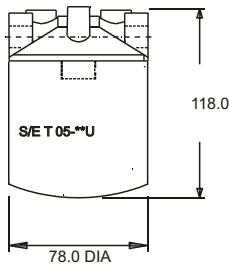
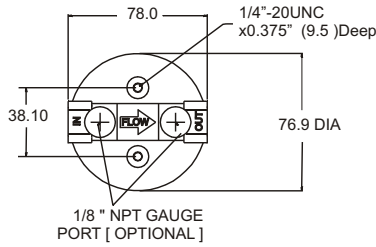


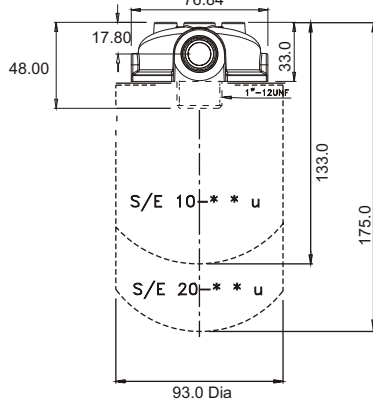
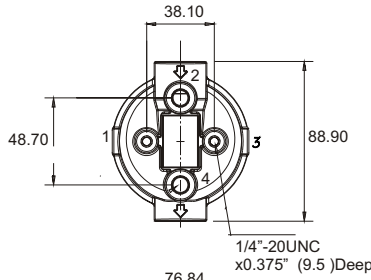
FILTER - INLINE SPIN ON - IFR 4



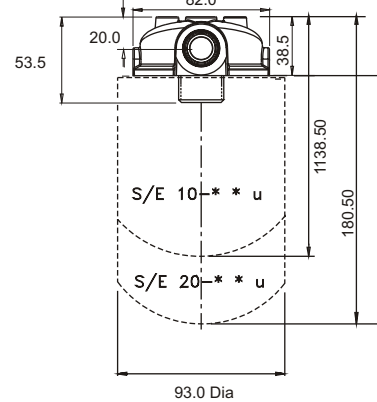
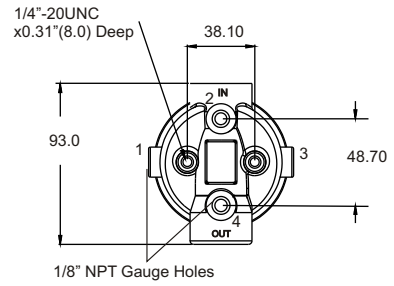
- DISPOSABLE SPIN ON ELEMENT
- DIE CAST ALUMINIUM HEAD
- 5 SIZES FLOWS TO 70 LPM(RETURN) / 20 LPM (SUCTION)
- MAX. PRESSURE 10 BAR / TEST 15 BAR / BURST 20 BAR
- BY PASS STANDARD 1 BAR (SUCTION 0.2 BAR)
- MAX. TEMP. 80 ° C.
- FOR USE WITH MINERAL / PETROLEUM BASED OILS



IF*4-02N-05-**-U Wt 0.55kg

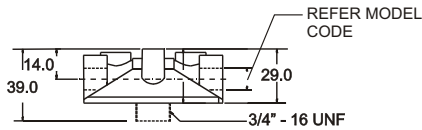


IF*4-04N-10-**-U Wt 0.8kg
IF*4-04N-20-**-U Wt 1.0kg



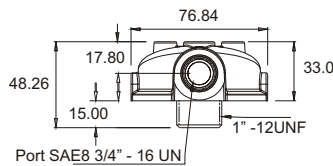
IF*4-06N-10-**-U Wt 0.85kg
IF*4-06N-20-**-U Wt 1.05kg

HEAD CASTING

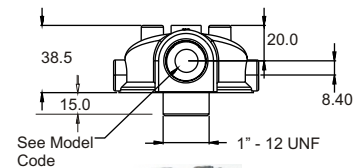


IF*4 - 02N Wt 0.15 KG

ELEMENT

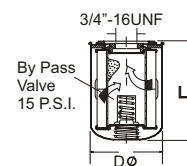


IF*4 - 04N Wt 0.20 KG

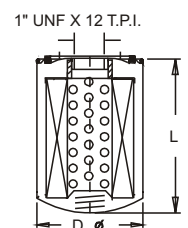


IF*4 - 06N Wt 0.25 KG

CARTRIDGE	D	L	FILTRATION AREA CM ²		WT KGS
			P10/ P25	A10/ A25	
S/E T - 05 - ** - U	78	88	1000	750	0.4
S/E - 10 - ** - U	93	100	1500	1200	0.6
S/E - 20 - ** - U	93	142	2300	1840	0.8



S/E T - 05 - ** - U



S/E - 20 - ** - U

DIMENSIONS IN MM FOR REFERENCE ONLY

FILTER - INLINE SPIN ON - IFR 4



MODEL CODE : ASSEMBLY

IF R 4	- 04*	- 10	- 10	U	- *	- *
SERIES	PORT THREAD SIZE	SIZE ELEMENT	FILTRATION m MICRONS	POST THREAD	BYPASS SPECIAL #	MTG. HOLES -*
B - NO BYPASS	02B - 1/4 IN BSPP 02N - 1/4 IN NPT 04S - 7/16IN - 20UNF	5 - 15 LPM	P10 - 10 m NOM	U - 3/4 "-16 UNF	R3 - 15 PSI (ByPass In Element)	U - 1/4"-20 UNC (Std)
R - RETURN	03B - 3/8 IN BSPP 03N - 3/8 IN NPT 06S - 9/16IN"-18UNF					
B - NO BYPASS	04B - 1/2 IN BSPP 04N - 1/2 IN NPT 08S - 3/4 IN-16UNF	10 - 35 LPM	A10 - 10 m ABS	U - 1"-12 UNF	R3 - 15 PSI Std OMIT IF STD	M - M 6 x 1.0 OMIT IF STD
R - RETURN	06B - 3/4 IN BSPP 06N - 3/4 IN NPT 12S - 1-1/16IN"-12UN	20 - 70 LPM	A25 - 25 m ABS			

INDICATOR : OPTIONAL (TO BE ORDERED SEPERATELY)

CONSULT FACTORY FOR OPTIONAL INDICATOR PORT LOCATIONS

Indicator ports: X - No Ports (Std)
SPECIFY

Position
1 & 3
OR
2 & 4

INDICATOR : OPTIONAL (TO BE ORDERED SEPERATELY)

GR - VISUAL RETURN E R - ELEC. RETURN

MODEL CODE : HEAD CASTING

Element : P10 / P25 Was 010 / 025

IF R 4	- 04*	U	- *	- *
SERIES	PORT THREAD SIZE	POST THREAD	BYPASS SPECIAL #	MTG. HOLES -*
B - NO BYPASS	02B - 1/4 IN BSPP 02N - 1/4 IN NPT 04S - 7/16IN - 20UNF	U - 3/4 "-16 UNF	R3 - 15 PSI (ByPass In Element)	U - 1/4"-20 UNC (Std)
R - RETURN	03B - 3/8 IN BSPP 03N - 3/8 IN NPT 06S - 9/16IN"-18UNF			
B - NO BYPASS	04B - 1/2 IN BSPP 04N - 1/2 IN NPT 08S - 3/4 IN-16UNF	U - 1"-12 UNF	R3 - 15 PSI Std OMIT IF STD	M - M 6 x 1.0 OMIT IF STD
R - RETURN	06B - 3/4 IN BSPP 06N - 3/4 IN NPT 12S - 1-1/16IN"-12UN			

MODEL CODE : ELEMENT

***	- 05	- 10	U
SERIES	ELEMENT SIZE	FILTRATION m MICRONS	POST THREAD
S/ET (With Built in By Pass)	05 - 15 LPM	010 - 10 m NOM 025 - 25 m NOM	U - 3/4 "-16 UNF
S / E	10 - 35 LPM 20 - 70 LPM	A10 - 10 m ABS A25 - 25 m ABS	U - 1"-12 UNF



OPTIONAL / SPECIAL FEATURE - OMIT IF NOT REQUIRED
CONSULT FACTORY FOR OPTIONAL / SPECIAL FEATURE

DIMENSIONS IN MM FOR REFERENCE ONLY