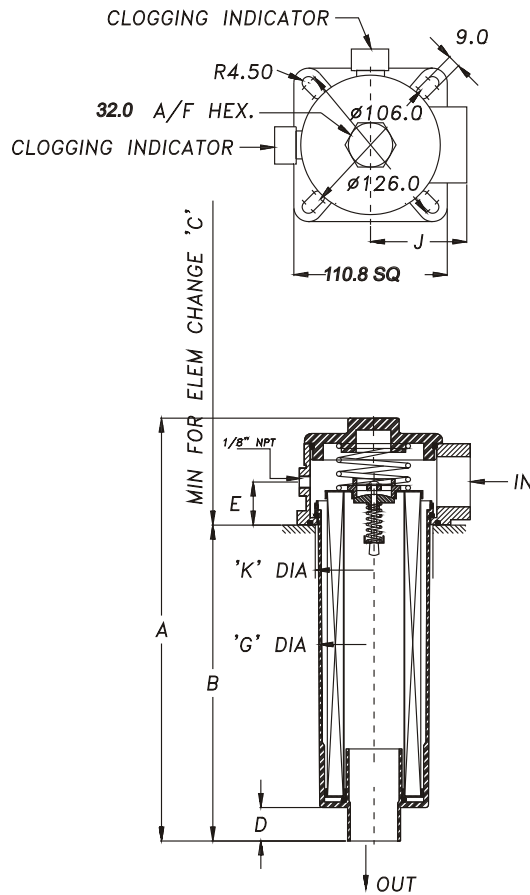


FILTER - TANK IMMERSED - RPF



- DIRECT TANK MOUNTING
- PRESSURE - MAX. 7 BAR / TEST 12 BAR / BURST 16 BAR
- ALUMINIUM / PLASTIC CONSTRUCTION
- 3 SIZES FLOW TO 150 LPM
- BY PASS STANDARD 1 BAR
- SUITABLE FOR MINERAL / PETROLEUM BASED OILS
- MAX. TEMP 80°C



MODEL NO	THDS	A	B	C	D	E	G	H	J	K Tank Cut Out
RPF - 06	3/4" BSPP	307.00	230.00	350.00	24.00	30.00	80.00	38.00	66.00	80.00 ^{+2.8}
RPF - 08	1" BSPP	307.00	230.00	350.00	24.00	30.00	80.00	38.00	66.00	80.00 ^{+2.8}
RPF - 10	1- 1/4" BSPP	390.00	311.00	405.00	24.00	30.00	80.00	38.00	66.00	80.00 ^{+2.8}

FILTER - TANK IMMERSED - RPF



MODEL CODE : ASSEMBLY

RPF	- 06*	L1	- 10	- **
SERIES	PORT THREAD	BOWL LENGTH	FILTRATION m MICRONS	FEATURE 1 BY Pass (OMIT IF STD)
RPF	06 B - 3/4" BSPP	L1 - 220	P10 - 10 m NOM	R3 - 15PSI (STD)
	06 N - 3/4" NPT			
	12 S - 1-1/16" UNF - 12			
	08 B - 1" BSPP			
	08 N - 1" NPT	L2- 300	A10 - 10 m ABS	R4 - 25 PSI
	16 S - 1-5/16" UNF - 12			
	10 B - 1-1/4" BSPP			
	10 N - 1-1/4" NPT			
20 S - 1- 5/8" UNF - 12				

Consult Factory For Tapped Holes For Cover Bolts

INDICATOR : OPTIONAL (TO BE ORDERED SEPERATELY)

Element : P10 / P25 Was 010 / 025

GR - VISUAL RETURN

ER - ELEC. RETURN

MODEL CODE : ELEMENT

RPE	- L1	- 010	- **
	SIZE	FILTRATION μ MICRONS	BY Pass (OMIT IF STD)
RPE	L1	P10 - 10 μ NOM	R3 - 15PSI (STD)
		P25 - 25 μ NOM	
	L2	A10 - 10 μ ABS	R4 - 25 PSI
		A25 - 25 μ ABS	

WITH BYPASS

MODEL CODE : SEALING KIT

RPF	- L1	- SK	- **
	SIZE	SEAL KIT	FEATURE # OPTIONAL
RPF	L1	SK	
	L2		

OPTIONAL / SPECIAL FEATURE - OMIT IF NOT REQUIRED

Element Details

SIZE	D φ	B φ	H	Area SqCm	
				P-10/25	A-10/25
RPE - L1	70	40	220	3300	2400
RPE - L2	70	40	300	4500	3250

CONSULT FACTORY FOR ANY OTHER REQUIREMENT

