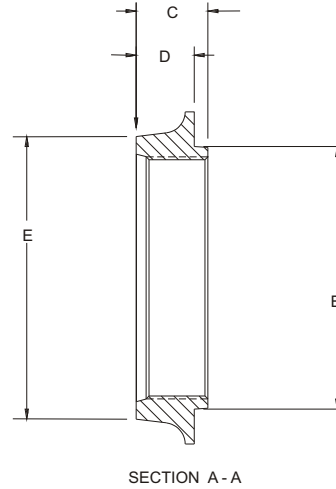
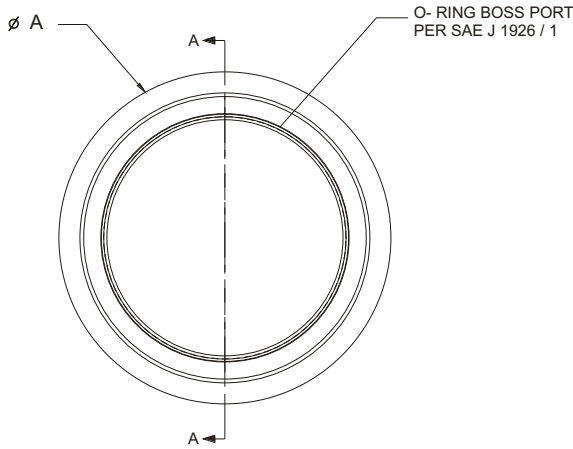


WELD FLANGES - TWF



- STEEL CONSTRUCTION (Optional SS Available)
- BLACK PHOSPHATE FINISH (SUITABLE FOR WELDING)
- FLANGED DESIGN MINIMISES WARPAGE
- ' O ' RING PORT ENSURES LEAK PROTECTION



MODEL	PORT UNF	A	B	C	D	E
TWF - 04 U	7 / 16" - 20	1.50 " / 38.10 mm	.93 " / 23.62 mm	.56 " / 14.22 mm	.31 " / 7.87 mm	1.0 " / 25.40 mm
TWF - 05 U	1 / 2" - 20	1.50 " / 38.10 mm	.93 " / 23.62 mm	.56 " / 14.22 mm	.31 " / 7.87 mm	1.0 " / 25.40 mm
TWF - 06 U	9 / 16" - 18	1.50 " / 38.10 mm	.93 " / 23.62 mm	.56 " / 14.22 mm	.31 " / 7.87 mm	1.0 " / 25.40 mm
TWF - 08 U	3 / 4" - 16	1.50 " / 38.10 mm	.93 " / 23.62 mm	.56 " / 14.22 mm	.31 " / 7.87 mm	1.0 " / 25.40 mm
TWF - 10 U	7 / 8" - 14	2.13 " / 54.10 mm	1.38 " / 35.05 mm	.69 " / 17.52 mm	.44 " / 11.17 mm	1.44 " / 36.57 mm
TWF - 12 U	1 - 1 / 16" - 12	2.13 " / 54.10 mm	1.38 " / 35.05 mm	.69 " / 17.52 mm	.44 " / 11.17 mm	1.44 " / 36.57 mm
TWF - 14 U	1 - 3 / 16" - 12	2.38 " / 60.45 mm	1.66 " / 42.16 mm	.75 " / 19.05 mm	.50 " / 12.70 mm	1.75 " / 44.45 mm
TWF - 16 U	1 - 5 / 16" - 12	2.38 " / 60.45 mm	1.66 " / 42.16 mm	.75 " / 19.05 mm	.50 " / 12.70 mm	1.75 " / 44.45 mm
TWF - 20 U	1 - 5 / 8" - 12	2.69 " / 68.32 mm	2.00 " / 50.80 mm	.75 " / 19.05 mm	.50 " / 12.70 mm	2.13 " / 54.10 mm
TWF - 24 U	1 - 7 / 8" - 12	3.00 " / 76.20 mm	2.25 " / 57.15 mm	.75 " / 19.05 mm	.50 " / 12.70 mm	2.38 " / 60.45 mm
TWF - 32 U	2 - 1 / 2" - 12	3.50 " / 88.90 mm	2.63 " / 66.80 mm	.86 " / 21.74 mm	.60 " / 15.34 mm	2.88 " / 73.15 mm
TWF - 48 U	3 - 3 / 8" - 12	4.63 " / 117.60 mm	3.66 " / 92.96 mm	1.00 " / 25.40 mm	.81 " / 20.57 mm	3.94 " / 100.07 mm

CONSULT FACTORY FOR ACME THREADS

MODEL CODE

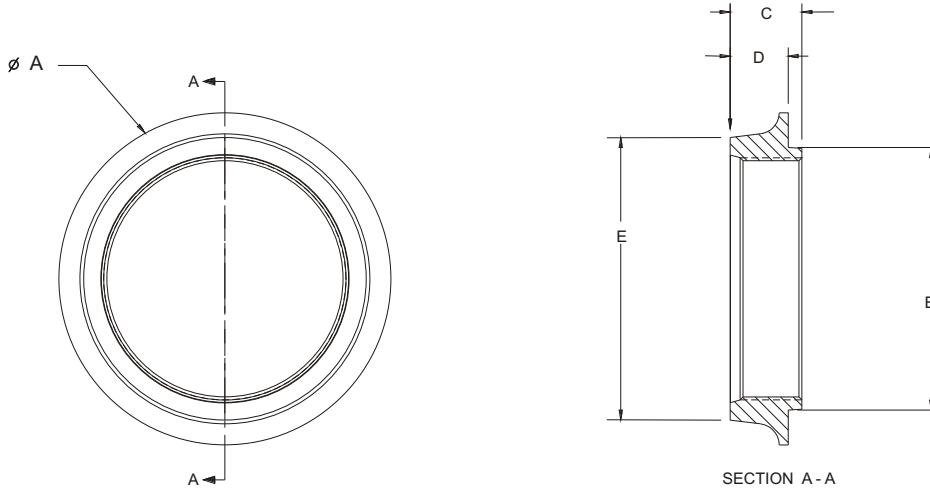
TWF	**	U	**
SERIES	SIZE	U- UNF THREAD (SAE)	MS - Standard SS - Optional (OMIT IF STD)

* FOR OPTIONAL THREADS BSPP / NPT REFER NEXT PAGE

WELD FLANGES - TWF



- STEEL CONSTRUCTION (Optional SS Available)
- BLACK PHOSPHATE FINISH (SUITABLE FOR WELDING)
- FLANGED DESIGN MINIMISES WARPAGE



MODEL	PORT	A	B	C	D	E
TWF - 03 B	3 / 8"BSPP	1.50 " 38.10 mm	.93 " 23.62 mm	.56 " 14.22 mm	.31 " 7.87 mm	1.0 " 25.40 mm
TWF - 04 B	1 / 2"BSPP	1.50 " 38.10 mm	.93 " 23.62 mm	.56 " 14.22 mm	.31 " 7.87 mm	1.0 " 25.40 mm
TWF - 06 B	3 / 4"BSPP	2.13 " 54.10 mm	1.38 " 35.05 mm	.69 " 17.52 mm	.44 " 11.17 mm	1.44 " 36.57 mm
TWF - 08 B	1" BSPP	2.38 " 60.45 mm	1.66 " 42.16 mm	.75 " 19.05 mm	.50 " 12.70 mm	1.75 " 44.45 mm
TWF - 10 B	1 - 1 / 4" BSPP	2.69 " 68.32 mm	2.00 " 50.80 mm	.75 " 19.05 mm	.50 " 12.70 mm	2.13 " 54.10 mm
TWF - 12 B	1 - 1 / 2" BSPP	3.00 " 76.20 mm	2.25 " 57.15 mm	.75 " 19.05 mm	.75 " 19.05 mm	2.38 " 60.45 mm
TWF - 16 B	2" - BSPP	3.50 " 88.90 mm	2.63 " 66.80 mm	.86 " 21.74 mm	.60 " 15.34 mm	2.88 " 73.15 mm
TWF - 24 B	3" - BSPP	4.63 " 117.60 mm	3.66 " 92.96 mm	1.00 " 25.40mm	.81 " 20.57 mm	3.94 " 100.07 mm

MODEL CODE

TWF	_*_*	_*	_***
SERIES	SIZE	B- BSPP THREAD N- NPT THREAD	MS - Standard SS - Optional (OMIT IF STD)

* FOR OPTIONAL THREADS CONSULT FACTORY